

Roll
No.

--	--	--	--	--	--	--	--	--	--	--	--	--	--	--	--	--	--	--	--

Serial No. of
Q. C. A. B.

ಒಟ್ಟು ಪ್ರಶ್ನೆಗಳ ಸಂಖ್ಯೆ : 5]
Total No. of Questions : 5]

[ಒಟ್ಟು ಮುದ್ರಿತ ಪುಟಗಳ ಸಂಖ್ಯೆ : 12
[Total No. of Printed Pages : 12

ಸಂಕೇತ ಸಂಖ್ಯೆ : **72**

ವಿಷಯ : ಇಂಜಿನಿಯರಿಂಗ್ ಡ್ರಾಯಿಂಗ್

Code No. : **72**

Subject : **ENGINEERING DRAWING**

ದಿನಾಂಕ : 06. 04. 2013]

[Date : 06. 04. 2013

ಸಮಯ : ಮಧ್ಯಾಹ್ನ-2-00 ರಿಂದ 5-15 ರವರೆಗೆ]

[Time : 2-00 P.M. to 5-15 P.M.

ಪರಮಾವಧಿ ಅಂಕಗಳು : 50]

[Max. Marks : 50

FOR OFFICE USE ONLY

Q. No.	Marks	Q. No.	Marks	Q. No.	Marks	Q. No.	Marks	Q. No.	Marks	
1.		×		×		×		×		
2.		×		×		×		×		
3.		×		×		×		×		
4.		×		×		×		×		
5.		×		×		×		×		
×		×		×		×		×		
×		×		×		×		×		
×		×		×		×		×		
×		×		×		×		×		
×		×		×		×		×		
×		×		×		×		×		
×		×		×		×		×		
×		×		×		×		×		
Total Marks										
Total Marks in words						Grand Total				
1. ✓										
2. ✓						✓			✓	
Signature of Evaluators			Registration No.			Signature of the Deputy Chief			Signature of the Room Invigilator	

[Turn over

General Instructions :

- i) The Question-cum-Answer Booklet consists of 5 objective and subjective types of questions.
- ii) Space has been provided against each objective type question. You have to choose the correct choice and write the complete answer in the space provided.
- iii) For subjective type questions enough space for each question has been provided. You have to answer the questions in the space.
- iv) Follow the instructions given against both the objective and subjective types of questions.
- v) Candidate should not write the answer with pencil. Answers written in pencil will not be evaluated (Except Graphs, Diagrams & Maps).
- vi) In case of Multiple Choice, Fill in the blanks and Matching questions, scratching / rewriting / marking is not permitted, thereby rendering to disqualification for evaluation.
- vii) For reading the questions 15 minutes of extra time has been provided.

Instructions :

- i) Answer *all* the questions.
- ii) Retain the constructional details.
- iii) All dimensions are in mm.
- iv) Use first angle projection only.
- v) Missing dimensions may be assumed.
- vi) All drawings should be drawn in drawing sheet only.

1. a) Fill in the blanks with the correct figure/word(s) by selecting from the choices given in the brackets : $5 \times 1 = 5$

i) threads are generally used for transmission of power.

(*Acme, Square, Knuckle*)

Ans : _____

ii) The projection on horizontal plane is

(*side view, front view, top view*)

Ans : _____

iii) Dimension lines are continuous lines.

(*thick, thin, chain thin*)

Ans : _____

iv) The shape of reflectors designed to focus light to a point will be

(*parabolic, elliptical, hyperbolic*)

Ans : _____

v) scales are used to show three consecutive units of dimensions.

(*Plain, Comparative, Diagonal*)

Ans : _____

b) Match the following :

5 × 1 = 5

Group A

Group B

i) Crest

a) eccentricity is equal to one

ii) Root

b) surface between crest and root

iii) Flank

c) innermost part of a thread

iv) Parabola

d) eccentricity is more than one

v) Ellipse

e) outermost part of a thread

f) eccentricity is less than one.

Ans :

i) _____

ii) _____

iii) _____

iv) _____

v) _____

[Turn over

2. a) Print the given word in single stroke vertical capital letters of height 18 mm with ratio 6 : 5. 5

'FESTIVAL'

- b) Construct a parabola in a rectangle of sides 100 mm \times 45 mm.

5

3. a) Draw a plain scale of 1 : 60 to show metres and decimetres and long enough to measure up to 6 metres and show the length of 3·7 metres on the scale. 5

- b) List minimum 10 drawing instruments and other drawing materials which every student must possess. 5

4. A shot is discharged from the ground level at an inclination of 55° to the ground which is assumed to be horizontal. The shot returns to the ground at a point 75 metre distant from the point of discharge. Trace the path of the shot and name the curve. Scale 1 : 1000. 10

OR

The pictorial view of an object is shown in figure No. 1. Draw the following orthographic views and mark the dimensions : 10

- (i) Front view — Looking in the direction of arrow 'X'
- (ii) Top view — Looking in the direction of arrow 'Y'
- (iii) Side view — Looking in the direction of arrow 'Z'.

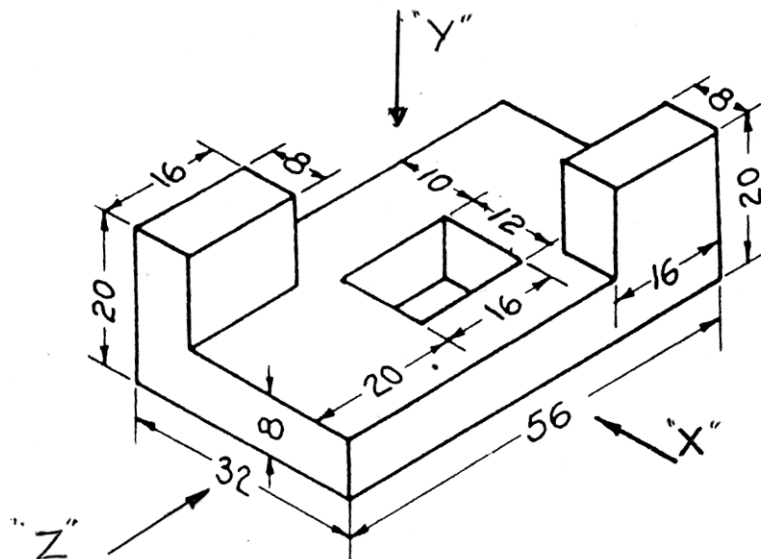


Figure No. 1

